

ST1100

Automatic Label Applicator Head

The ST1100 Automatic Label Applicator is a high performance labeling head capable of speeds of up to 1100 linear inches per minute. It comes complete with a direct drive DC stepper motor, powered rewind, a 6.5-inch web width, and a standard 12-inch diameter label roll capacity. Under microprocessor control, the ST1100 is accurate to $\pm 1/32$ of an inch.

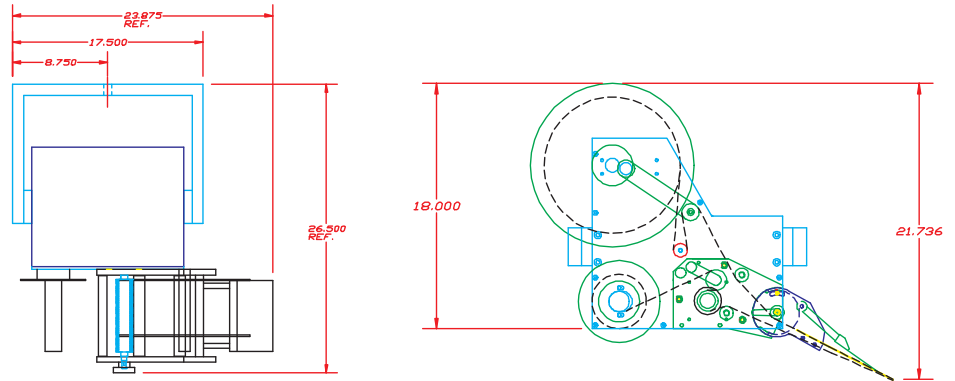


- Heavy duty construction specifically designed for industrial applications.
- Microprocessor controller gives flexible and accurate label placement.
- Stainless steel and anodized aluminum provide protection from corrosive environments.
- Solid drive construction ensures even pressure to the label web resulting in extremely accurate label placement.
- The applicator head can be oriented to any attitude for side, top or bottom placement.
- Handles a full assortment of label shapes and sizes.



ST1100

Automatic Label Applicator Head



ST1100 Label Applicator Specifications

Speed	1100 linear inches per minute.
Accuracy	± 1/32 of an inch with consistent product dimensions
Control Electronics	Microprocessor Controller
Label Size	Minimum: Wipe-on: 1/2" by 1/2"; Wrap: 1" by 1" Maximum: Wipe-on: 6-1/2" by 18.00"; Wrap 6-1/2" by 10.00"
Electrical	115 VAC, 50/60 Hertz, 5 Amps
Product Detection	Photoelectric
Label Capacity	6.5" web width, 12" diameter label roll, 3" core
Options	Low Label Warning Out of Label Warning Web Break Warning Rate Compensation Label/Product Counter Clear Label Sensor Hot Stamp Imprinter Oversize Web Width Imprint Verification

Distributed by:

SOUTHERN
CALIFORNIA
PACKAGING
EQUIPMENT, INC.



4102 W. Valley Blvd Walnut, CA 91789
909/598-3198 • Fax: 909/598-1363
www.scpe.com