

ST600

Automatic Label Applicator Head

The ST600 Automatic Label Applicator is a high performance labeling head capable of speeds of up to 600 linear inches per minute. It comes complete with a direct drive DC stepper motor, powered rewind, a 4.5-inch web width, and a standard 12-inch diameter label roll capacity. Under microprocessor control, the ST600 is accurate to $\pm 1/32$ of an inch.

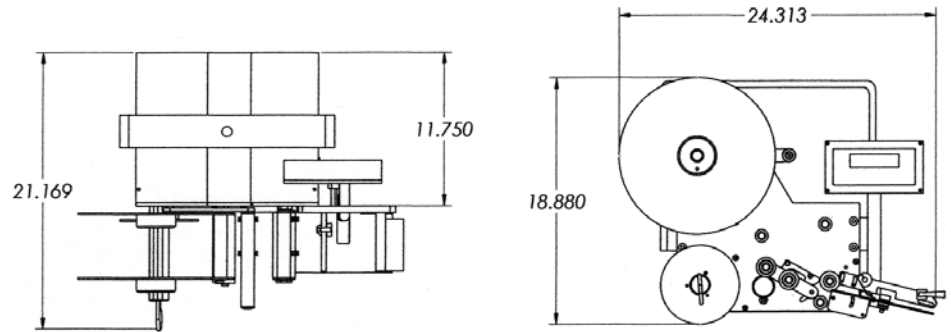


- Heavy duty construction specifically designed for industrial applications.
- Microprocessor controller gives flexible and accurate label placement.
- Stainless steel and anodized aluminum provide protection from corrosive environments.
- Solid drive construction ensures even pressure to the label web resulting in extremely accurate label placement.
- The applicator head can be oriented to any attitude for side, top or bottom placement.
- Handles a full assortment of label shapes and sizes.
- Available in Wipe-On and Tamp-Blow Versions.
- 50 memory presets for fast product change over and setup.



ST600

Automatic Label Applicator Head



ST600 Label Applicator Specifications

Speed	600 linear inches per minute.
Accuracy	$\pm 1/32$ of an inch with consistent product dimensions
Control Electronics	Microprocessor Controller
Label Size	Minimum: Wipe-On: 1/2" by 1"; Tamp or Blow-On: 1" by 1" Maximum: Wipe-On: 4-1/2" by 12"; Tamp or Blow-On: 4-1/2" by 6"
Electrical	115 VAC, 50/60 Hertz, 5 Amps
Product Detection	Photoelectric
Label Capacity	4.5" web width, 12" diameter label roll, 3" core
Options	Low Label Warning Out of Label Warning Web Break Warning Label/Product Counter Clear Label Sensor Oversize Web Width Three Stage Light Pole

Distributed by:

SOUTHERN
CALIFORNIA
PACKAGING
EQUIPMENT, INC.



4102 W. Valley Blvd Walnut, CA 91789
909/598-3198 • Fax: 909/598-1363
www.scpe.com